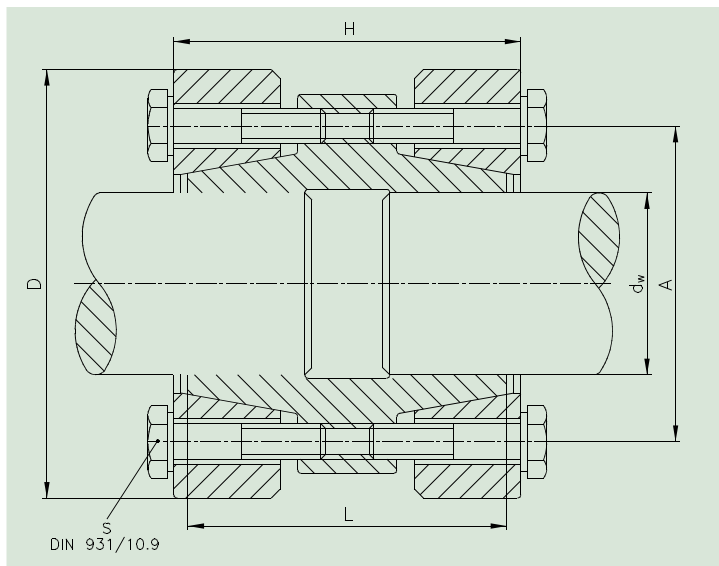


Shaft Coupling Type WLA



H is in unlocked position.

M_t = max. transmissible torque
per coupling

F_{ax} = max. transmissible axial force
per coupling

M_A = Tightening torque per bolt

Z = quantity of bolts

| Type | d_w | M_t | F_{ax} | M_A | D | L | H | A | Z | S | Weight |
|---------|-------|-------|----------|-------|-----|-----|-----|-----|-------|----------|--------|
| mm | mm | Nm | kN | Nm | mm | mm | mm | mm | (2 x) | | kg |
| WLA 15 | 13 | 70 | 11 | 6 | 55 | 50 | 53 | 37 | 7 | M 5x 25 | 0,7 |
| WLA 15 | 15 | 150 | 20 | 6 | 55 | 50 | 53 | 37 | 7 | M 5x 25 | 0,7 |
| WLA 15 | 17 | 180 | 21 | 6 | 55 | 50 | 53 | 37 | 7 | M 5x 25 | 0,7 |
| WLA 20 | 18 | 200 | 22 | 12 | 60 | 54 | 57 | 42 | 8 | M 6x 30 | 1 |
| WLA 20 | 20 | 270 | 27 | 12 | 60 | 54 | 57 | 42 | 8 | M 6x 30 | 1 |
| WLA 20 | 22 | 350 | 31 | 12 | 60 | 54 | 57 | 42 | 8 | M 6x 30 | 1 |
| WLA 25 | 23 | 370 | 32 | 12 | 66 | 62 | 65 | 48 | 8 | M 6x 30 | 1,3 |
| WLA 25 | 25 | 470 | 37 | 12 | 66 | 62 | 65 | 48 | 8 | M 6x 30 | 1,3 |
| WLA 25 | 27 | 600 | 44 | 12 | 66 | 62 | 65 | 48 | 8 | M 6x 30 | 1,3 |
| WLA 30 | 28 | 540 | 38 | 12 | 76 | 70 | 73 | 54 | 10 | M 6x 35 | 1,9 |
| WLA 30 | 30 | 670 | 44 | 12 | 76 | 70 | 73 | 54 | 10 | M 6x 35 | 1,9 |
| WLA 30 | 32 | 750 | 46 | 12 | 76 | 70 | 73 | 54 | 10 | M 6x 35 | 1,9 |
| WLA 35 | 33 | 750 | 45 | 12 | 80 | 75 | 79 | 62 | 12 | M 6x 35 | 2,4 |
| WLA 35 | 35 | 900 | 51 | 12 | 80 | 75 | 79 | 62 | 12 | M 6x 35 | 2,4 |
| WLA 35 | 37 | 1050 | 56 | 12 | 80 | 75 | 79 | 62 | 12 | M 6x 35 | 2,4 |
| WLA 40 | 38 | 1250 | 65 | 30 | 98 | 80 | 84 | 71 | 8 | M 8x 40 | 3,5 |
| WLA 40 | 40 | 1550 | 77 | 30 | 98 | 80 | 84 | 71 | 8 | M 8x 40 | 3,5 |
| WLA 40 | 43 | 1850 | 86 | 30 | 98 | 80 | 84 | 71 | 8 | M 8x 40 | 3,5 |
| WLA 50 | 44 | 2200 | 100 | 59 | 115 | 90 | 94 | 86 | 8 | M 10x 45 | 5,3 |
| WLA 50 | 50 | 3300 | 132 | 59 | 115 | 90 | 94 | 86 | 8 | M 10x 45 | 5,3 |
| WLA 50 | 54 | 3800 | 140 | 59 | 115 | 90 | 94 | 86 | 8 | M 10x 45 | 5,3 |
| WLA 60 | 55 | 4050 | 147 | 59 | 125 | 120 | 124 | 98 | 10 | M 10x 50 | 7,8 |
| WLA 60 | 60 | 5100 | 170 | 59 | 125 | 120 | 124 | 98 | 10 | M 10x 50 | 7,8 |
| WLA 60 | 64 | 6100 | 190 | 59 | 125 | 120 | 124 | 98 | 10 | M 10x 50 | 7,8 |
| WLA 70 | 65 | 6500 | 200 | 59 | 148 | 140 | 142 | 112 | 12 | M 10x 60 | 14 |
| WLA 70 | 70 | 8200 | 234 | 59 | 148 | 140 | 142 | 112 | 12 | M 10x 60 | 14 |
| WLA 70 | 74 | 9000 | 243 | 59 | 148 | 140 | 142 | 112 | 12 | M 10x 60 | 14 |
| WLA 80 | 75 | 10500 | 280 | 100 | 170 | 170 | 175 | 130 | 12 | M 12x 70 | 22 |
| WLA 80 | 80 | 12300 | 307 | 100 | 170 | 170 | 175 | 130 | 12 | M 12x 70 | 22 |
| WLA 80 | 84 | 14000 | 333 | 100 | 170 | 170 | 175 | 130 | 12 | M 12x 70 | 22 |
| WLA 90 | 85 | 14200 | 334 | 250 | 185 | 200 | 202 | 145 | 7 | M 16x 80 | 30 |
| WLA 90 | 90 | 16400 | 364 | 250 | 185 | 200 | 202 | 145 | 7 | M 16x 80 | 30 |
| WLA 90 | 94 | 18000 | 383 | 250 | 185 | 200 | 202 | 145 | 7 | M 16x 80 | 30 |
| WLA 100 | 95 | 19100 | 402 | 250 | 200 | 210 | 212 | 158 | 9 | M 16x 90 | 36 |
| WLA 100 | 100 | 23100 | 462 | 250 | 200 | 210 | 212 | 158 | 9 | M 16x 90 | 36 |
| WLA 100 | 104 | 26000 | 500 | 250 | 200 | 210 | 212 | 158 | 9 | M 16x 90 | 36 |
| WLA 110 | 105 | 28500 | 542 | 250 | 217 | 220 | 222 | 170 | 12 | M 16x 90 | 41 |
| WLA 110 | 110 | 32000 | 581 | 250 | 217 | 220 | 222 | 170 | 12 | M 16x 90 | 41 |
| WLA 110 | 114 | 35000 | 614 | 250 | 217 | 220 | 222 | 170 | 12 | M 16x 90 | 41 |

Shaft Coupling Type WLA

| Type mm | d_w mm | M_t Nm | F_{Ax} kN | M_A Nm | D mm | L mm | H mm | A mm | Z (2 x) | S | Weight kg |
|------------|-------------|-------------|----------------|-------------|---------|---------|---------|---------|------------|----------|--------------|
| WLA 120 | 115 | 38500 | 669 | 250 | 235 | 230 | 235 | 184 | 13 | M 16x 90 | 53 |
| WLA 120 | 120 | 43500 | 725 | 250 | 235 | 230 | 235 | 184 | 13 | M 16x 90 | 53 |
| WLA 120 | 124 | 46000 | 742 | 250 | 235 | 230 | 235 | 184 | 13 | M 16x 90 | 53 |
| WLA 130 | 125 | 47500 | 760 | 490 | 267 | 240 | 242 | 206 | 10 | M 20x110 | 72 |
| WLA 130 | 130 | 55000 | 846 | 490 | 267 | 240 | 242 | 206 | 10 | M 20x110 | 72 |
| WLA 130 | 134 | 58000 | 865 | 490 | 267 | 240 | 242 | 206 | 10 | M 20x110 | 72 |
| WLA 140 | 135 | 62000 | 918 | 490 | 280 | 250 | 252 | 218 | 11 | M 20x110 | 80 |
| WLA 140 | 140 | 67000 | 957 | 490 | 280 | 250 | 252 | 218 | 11 | M 20x110 | 80 |
| WLA 140 | 144 | 71000 | 986 | 490 | 280 | 250 | 252 | 218 | 11 | M 20x110 | 80 |
| WLA 150 | 145 | 73000 | 1006 | 490 | 302 | 265 | 267 | 230 | 12 | M 20x120 | 96 |
| WLA 150 | 150 | 78000 | 1040 | 490 | 302 | 265 | 267 | 230 | 12 | M 20x120 | 96 |
| WLA 150 | 154 | 82000 | 1065 | 490 | 302 | 265 | 267 | 230 | 12 | M 20x120 | 96 |
| WLA 160 | 155 | 82000 | 1058 | 490 | 315 | 280 | 282 | 242 | 13 | M 20x120 | 110 |
| WLA 160 | 160 | 88000 | 1100 | 490 | 315 | 280 | 282 | 242 | 13 | M 20x120 | 110 |
| WLA 160 | 165 | 97000 | 1175 | 490 | 315 | 280 | 282 | 242 | 13 | M 20x120 | 110 |
| WLA 180 | 166 | 108000 | 1301 | 490 | 345 | 310 | 312 | 265 | 16 | M 20x130 | 139 |
| WLA 180 | 180 | 132000 | 1465 | 490 | 345 | 310 | 312 | 265 | 16 | M 20x130 | 139 |
| WLA 180 | 185 | 140000 | 1513 | 490 | 345 | 310 | 312 | 265 | 16 | M 20x130 | 139 |
| WLA 200 | 186 | 153000 | 1645 | 490 | 375 | 350 | 352 | 290 | 20 | M 20x150 | 182 |
| WLA 200 | 200 | 184000 | 1840 | 490 | 375 | 350 | 352 | 290 | 20 | M 20x150 | 182 |
| WLA 200 | 210 | 204000 | 1943 | 490 | 375 | 350 | 352 | 290 | 20 | M 20x150 | 182 |
| WLA 220 | 211 | 214000 | 2028 | 840 | 410 | 390 | 392 | 320 | 18 | M 24x160 | 243 |
| WLA 220 | 220 | 240000 | 2180 | 840 | 410 | 390 | 392 | 320 | 18 | M 24x160 | 243 |
| WLA 220 | 230 | 260000 | 2260 | 840 | 410 | 390 | 392 | 320 | 18 | M 24x160 | 243 |
| WLA 240 | 231 | 280000 | 2424 | 840 | 435 | 430 | 432 | 340 | 20 | M 24x180 | 360 |
| WLA 240 | 240 | 305000 | 2540 | 840 | 435 | 430 | 432 | 340 | 20 | M 24x180 | 360 |
| WLA 240 | 250 | 334000 | 2672 | 840 | 435 | 430 | 432 | 340 | 20 | M 24x180 | 360 |
| WLA 260 | 251 | 390000 | 3108 | 1250 | 515 | 450 | 452 | 380 | 20 | M 27x200 | 450 |
| WLA 260 | 260 | 425000 | 3270 | 1250 | 515 | 450 | 452 | 380 | 20 | M 27x200 | 450 |
| WLA 260 | 270 | 465000 | 3444 | 1250 | 515 | 450 | 452 | 380 | 20 | M 27x200 | 450 |