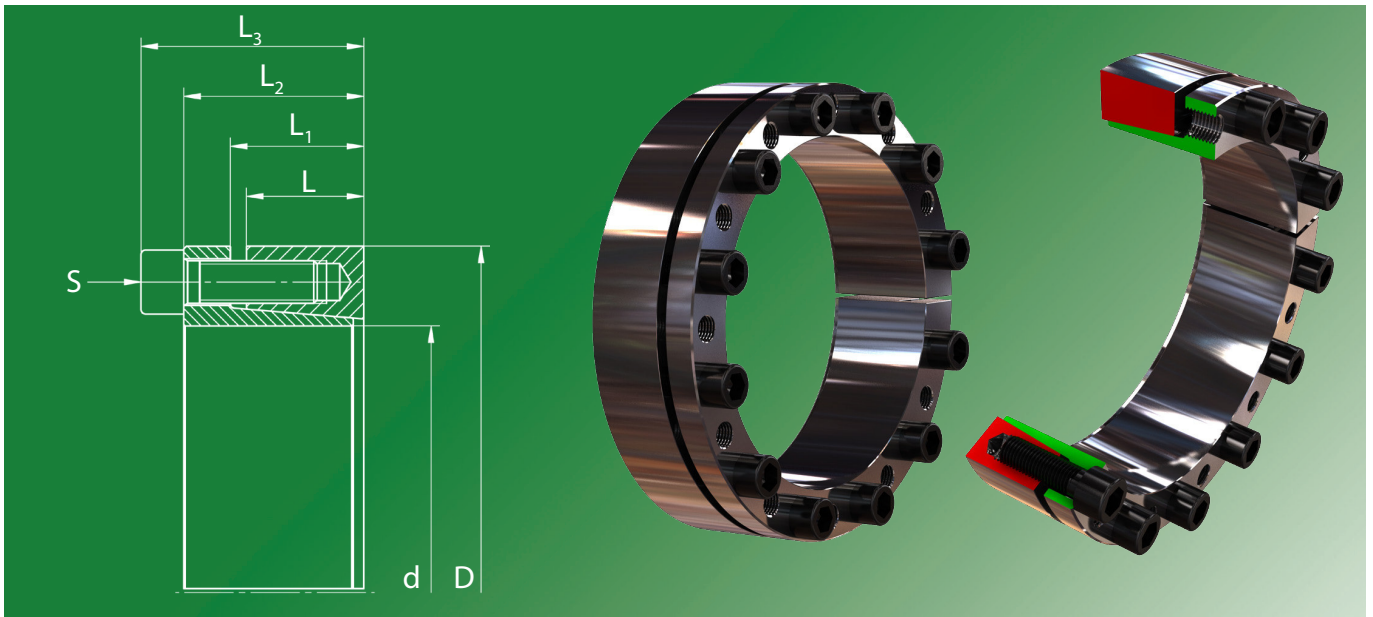
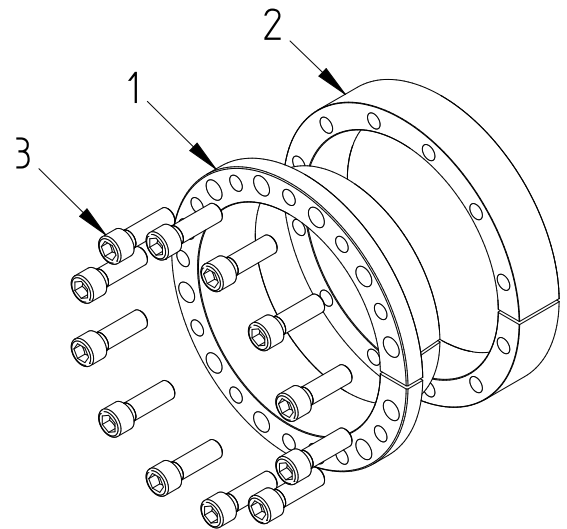


3003



Used symbols

d	[mm]	Shaft diameter	
D	[mm]	Hub inside diameter	
M_t	[Nm]	Max. transmittable torque	$F_{ax} = 0$
F_{ax}	[kN]	Max. transmittable axial force	$M_t = 0$
p_w	[N/mm ²]	Average pressure on the shaft	
p_h	[N/mm ²]	Average pressure on the hub	
L	[mm]	Length of the pressure ring	
L_1	[mm]	Distance of the pressure ring	
L_2	[mm]	Width of the locking device without screws	
L_3	[mm]	Width of the locking device with screws	
Z		Number of clamping screws	
S		Size of the clamping screws	
M_A	[Nm]	Tightening torque of the clamping screws	



Recommended tolerances & surfaces

Shaft	h8 / Rz10
Hub	H8 / Rz10

Pos.	Designation
1	Sleeve
2	Pressure ring
3	Screw

Bending loads

Bending moment (share)	$M_B \max = 0,3 * M_t$
Bending angle	max. 5°

More properties

- axial displacement during assembly
- good self-centering
- low self-locking

Ordering information: TAS 3003/d/D (for example: TAS 3003/150/200 ... further sizes on request)

d mm		D mm	M_t Nm	F_{ax} kN	p_w N/mm ²	p_N N/mm ²	Z Stk	S	M_A Nm	L mm	L₁ mm	L₂ mm	L₃ mm	Weight kg
20	x	47	411	46	218	137	6	M6 x 020	14	17	22	28	34	0,26
22	x	47	453	46	198	137	6	M6 x 020	14	17	22	28	34	0,24
24	x	50	493	46	182	128	6	M6 x 020	14	17	22	28	34	0,27
25	x	50	514	46	175	128	6	M6 x 020	14	17	22	28	34	0,27
28	x	55	576	46	156	117	6	M6 x 020	14	17	22	28	34	0,32
30	x	55	617	46	145	117	6	M6 x 020	14	17	22	28	34	0,30
32	x	60	878	61	182	143	8	M6 x 020	14	17	22	28	34	0,37
35	x	60	959	61	166	143	8	M6 x 020	14	17	22	28	34	0,34
38	x	65	1041	61	153	132	8	M6 x 020	14	17	22	28	34	0,43
40	x	65	1096	61	145	132	8	M6 x 020	14	17	22	28	34	0,40
42	x	75	2208	117	221	186	8	M8 x 025	35	20	25	33	41	0,68
45	x	75	2365	117	207	186	8	M8 x 025	35	20	25	33	41	0,64
48	x	80	2523	117	185	174	8	M8 x 025	35	20	25	33,5	41,5	0,73
50	x	80	2628	117	177	174	8	M8 x 025	35	20	25	33,5	41,5	0,71
55	x	85	2891	117	161	164	8	M8 x 025	35	20	25	33,5	41,5	0,76
60	x	90	3154	117	148	155	8	M8 x 025	35	20	25	33,5	41,5	0,82
65	x	95	3416	117	136	147	8	M8 x 025	35	20	25	33,5	41,5	0,87
70	x	110	5995	190	176	172	8	M10 x 030	70	24	30	40	50	1,6
75	x	115	6423	190	164	165	8	M10 x 030	70	24	30	40	50	1,7
80	x	120	6851	190	154	158	8	M10 x 030	70	24	30	40	50	1,8
85	x	125	9099	238	181	189	10	M10 x 030	70	24	30	40	50	1,9
90	x	130	9635	238	171	182	10	M10 x 030	70	24	30	40	50	2,0
95	x	135	10170	238	162	175	10	M10 x 030	70	24	30	40	50	2,0
100	x	145	11902	264	158	168	8	M12 x 035	115	26	31	44	56	2,8
110	x	155	13091	264	144	157	8	M12 x 035	115	26	31	44	56	3,0
120	x	165	16067	298	148	166	9	M12 x 035	115	26	31	44	56	3,2
130	x	180	23207	397	152	155	12	M12 x 035	115	34	39	52	64	4,9
140	x	190	25513	405	138	150	9	M14 x 040	185	34	39	54	68	5,2
150	x	200	30372	450	143	158	10	M14 x 040	185	34	39	54	68	5,5
160	x	210	38876	540	161	181	12	M14 x 040	185	34	39	54	68	5,8
170	x	225	41306	540	126	130	12	M14 x 040	185	44	49	64	78	8,2
180	x	235	43736	540	119	125	12	M14 x 040	185	44	49	64	78	8,6
190	x	250	57708	675	141	147	15	M14 x 040	185	44	49	64	78	10,0
200	x	260	60745	675	134	141	15	M14 x 040	185	44	49	64	78	10,5