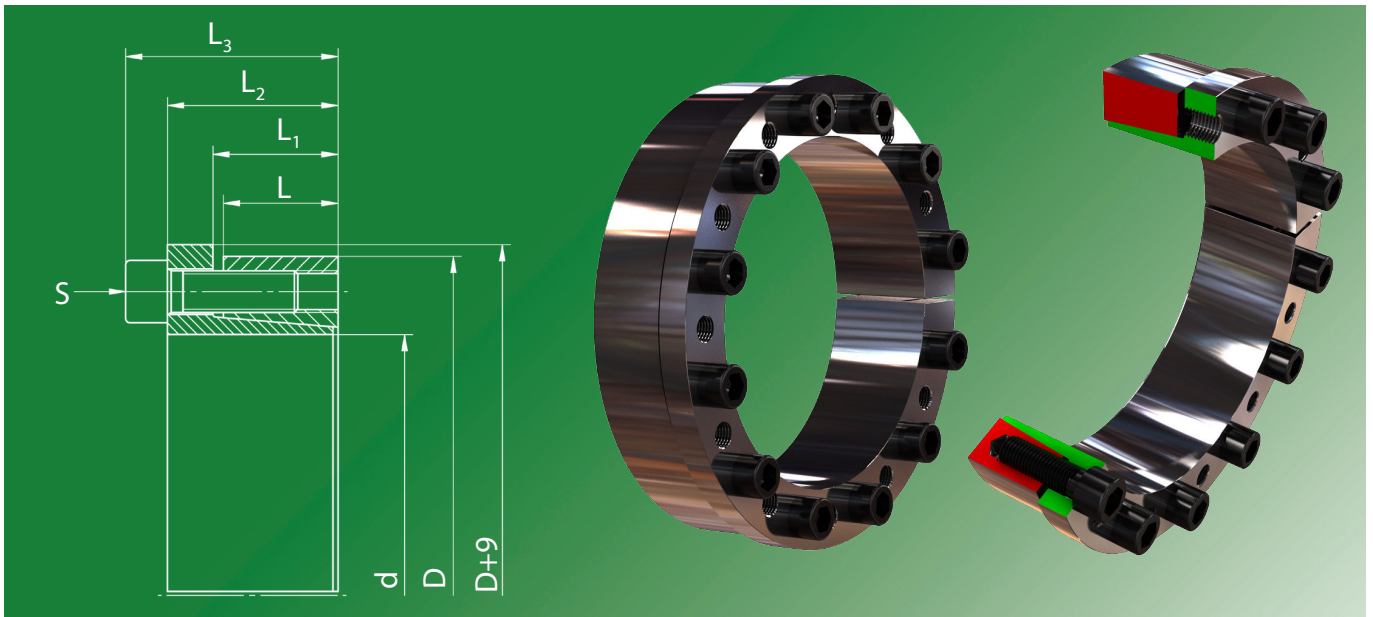
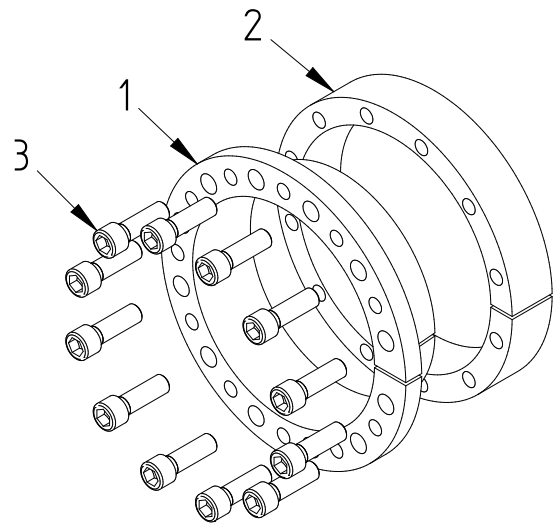


3006 plus



Used symbols

d	[mm]	Shaft diameter	
D	[mm]	Hub inside diameter	
M_t	[Nm]	Max. transmittable torque	$F_{ax} = 0$
F_{ax}	[kN]	Max. transmittable axial force	$M_t = 0$
p_w	[N/mm ²]	Average pressure on the shaft	
p_N	[N/mm ²]	Average pressure on the hub	
L	[mm]	Length of the pressure ring	
L_1	[mm]	Distance of the pressure ring	
L_2	[mm]	Width of the locking device without screws	
L_3	[mm]	Width of the locking device with screws	
Z		Number of clamping screws	
S		Size of the clamping screws	
M_A	[Nm]	Tightening torque of the clamping screws	



Recommended tolerances & surfaces

Shaft	h8 / Rz10
Hub	H8 / Rz10

Pos.	Designation
1	Sleeve
2	Pressure ring
3	Screw

Bending loads

Bending moment (share)	$M_B \max = 0,3 * M_t$
Bending angle	max. 5°

More properties

- no axial displacement during assembly
- good self-centering
- low self-locking

Ordering information: TAS 3006/d/D plus (for example: TAS 3006/150/200 plus ... further sizes on request)

3006 plus

d mm	D mm	M_t Nm	F_{ax} kN	P_w N/mm ²	P_N N/mm ²	Z Stk	S	M_A Nm	L mm	L₁ mm	L₂ mm	L₃ mm	Weight kg
20	x 47	260	27	208	88	5	M6 x 020	17	17	22	30	36	0,28
22	x 47	290	27	189	88	5	M6 x 020	17	17	22	30	36	0,27
24	x 50	310	27	173	83	5	M6 x 020	17	17	22	30	36	0,30
25	x 50	390	32	199	100	6	M6 x 020	17	17	22	30	36	0,29
28	x 55	440	32	178	91	6	M6 x 020	17	17	22	28	34	0,32
30	x 55	470	32	166	91	6	M6 x 020	17	17	22	30	36	0,33
32	x 60	680	43	208	111	8	M6 x 020	17	17	22	28	34	0,37
35	x 60	740	43	190	111	8	M6 x 020	17	17	22	30	36	0,37
38	x 65	800	43	175	102	8	M6 x 020	17	17	22	30	36	0,43
40	x 65	850	43	166	102	8	M6 x 020	17	17	22	30	36	0,40
45	x 75	1700	79	232	139	8	M8 x 025	41	20	25	34	42	0,64
50	x 80	1900	79	209	131	8	M8 x 025	41	20	25	34	42	0,70
55	x 85	2100	79	190	123	8	M8 x 025	41	20	25	34	42	0,75
60	x 90	2300	79	174	116	8	M8 x 025	41	20	25	34	42	0,80
65	x 95	2800	89	181	124	9	M8 x 025	41	20	25	34	42	0,86
70	x 110	4500	130	205	131	8	M10 x 030	83	24	29	41	51	1,60
75	x 115	4800	130	192	125	8	M10 x 030	83	24	30	42	52	1,69
80	x 120	5100	130	180	120	8	M10 x 030	83	24	30	41	51	1,73
85	x 125	6200	146	190	129	9	M10 x 030	83	24	30	41	51	1,81
90	x 130	6500	146	180	124	9	M10 x 030	83	24	29	41	51	1,95
95	x 135	7700	162	189	133	10	M10 x 030	83	24	29	41	51	2,04
100	x 145	10800	216	220	152	9	M12 x 035	145	26	32	46	58	2,72
110	x 155	11800	216	200	142	9	M12 x 035	145	26	32	46	58	2,94
120	x 165	12900	216	184	134	9	M12 x 035	145	26	31	46	58	3,24
130	x 180	18800	290	174	126	9	M14 x 040	230	34	40	57	71	4,87
140	x 190	20200	290	162	119	9	M14 x 040	230	34	40	57	71	5,19
150	x 200	24100	322	168	126	10	M14 x 040	230	34	40	57	71	5,50
160	x 210	30900	387	189	144	12	M14 x 040	230	34	40	57	71	5,82
170	x 225	32800	387	137	104	12	M14 x 040	230	44	50	67	81	8,17
180	x 235	34700	387	129	99	12	M14 x 040	230	44	50	67	81	8,58
190	x 250	50400	531	168	128	12	M16 x 050	355	44	50	67	83	9,93
200	x 260	53000	531	160	123	12	M16 x 050	355	44	50	67	83	10,38
220	x 285	58300	531	128	99	12	M16 x 050	355	50	56	75	91	13,96
240	x 305	79500	663	147	115	15	M16 x 050	355	50	56	75	91	15,07
260	x 325	103000	796	162	130	18	M16 x 050	355	50	56	76	93	16,41
280	x 355	120000	858	135	107	16	M18 x 060	485	60	66	87	105	23,78
300	x 375	144000	965	142	114	18	M18 x 060	485	60	66	87	105	25,28
320	x 405	198000	1241	139	110	18	M20 x 060	690	74	81	104	124	36,85
340	x 425	246000	1447	153	122	21	M20 x 060	690	74	81	104	124	38,89
360	x 455	278000	1548	133	105	18	M22 x 060	930	86	94	120	142	53,46
380	x 475	343000	1805	147	117	21	M22 x 060	930	86	94	120	142	56,09
400	x 495	361000	1805	139	112	21	M22 x 060	930	86	94	120	142	58,71