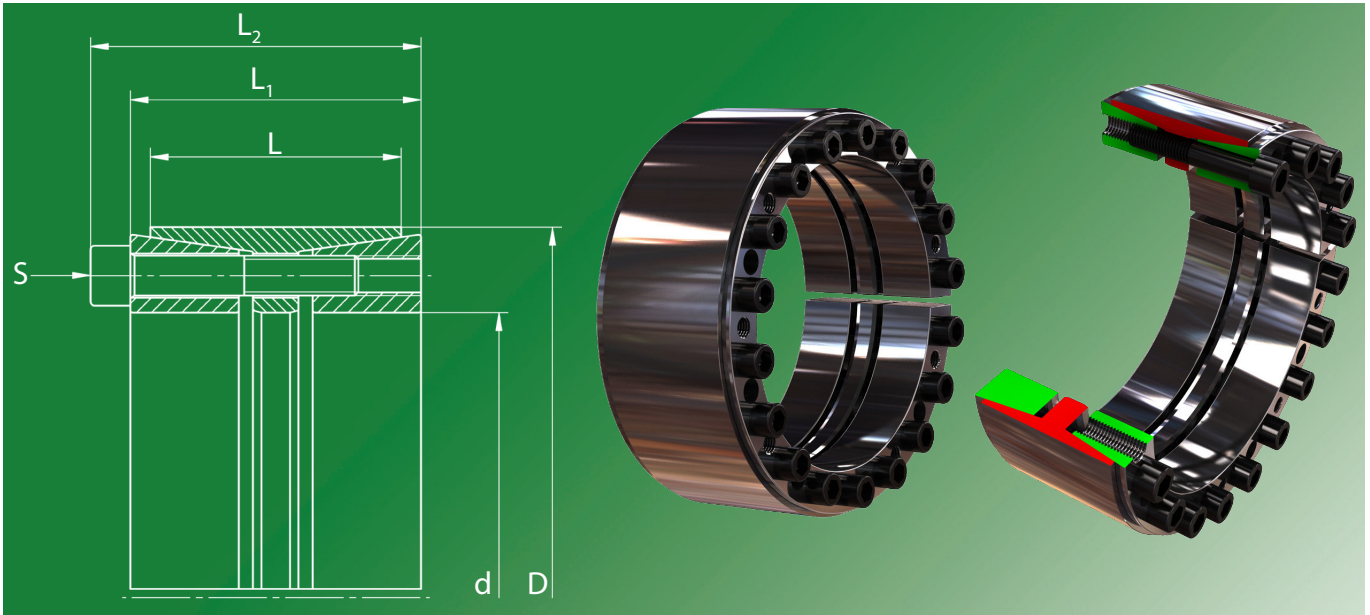
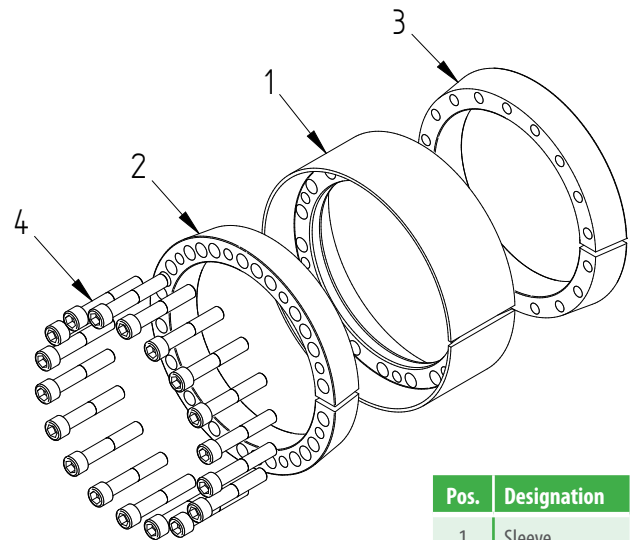


# 3015.1



## Used symbols

|          |                      |  |              |
|----------|----------------------|--|--------------|
| $d$      | [mm]                 | Shaft diameter                             |              |
| $D$      | [mm]                 | Hub inside diameter                        |              |
| $M_t$    | [Nm]                 | Max. transmittable torque                  | $F_{ax} = 0$ |
| $F_{ax}$ | [kN]                 | Max. transmittable axial force             | $M_t = 0$    |
| $p_w$    | [N/mm <sup>2</sup> ] | Average pressure on the shaft              |              |
| $p_n$    | [N/mm <sup>2</sup> ] | Average pressure on the hub                |              |
| $L$      | [mm]                 | Length of the sleeve                       |              |
| $L_1$    | [mm]                 | Width of the locking device without screws |              |
| $L_2$    | [mm]                 | Width of the locking device with screws    |              |
| $Z$      |                      | Number of clamping screws                  |              |
| $S$      |                      | Size of the clamping screws                |              |
| $M_A$    | [Nm]                 | Tightening torque of the clamping screws   |              |



| Pos. | Designation     |
|------|-----------------|
| 1    | Sleeve          |
| 2    | Pressure ring 1 |
| 3    | Pressure ring 2 |
| 4    | Screw           |

## Recommended tolerances & surfaces

|       |           |
|-------|-----------|
| Shaft | h8 / Rz10 |
| Hub   | H8 / Rz10 |

## Bending loads

|                        |                        |
|------------------------|------------------------|
| Bending moment (share) | $M_b \max = 0,4 * M_t$ |
| Bending angle          | max. 5°                |

## More properties

- low axial displacement during assembly
- good self-centering
- low self-locking

Ordering information: TAS 3015.1/d/D (for example: TAS 3015.1/150/200 ... further sizes on request)

# 3015.1

| <b>d</b><br>mm | <b>D</b><br>mm | <b>M<sub>t</sub></b><br>Nm | <b>F<sub>ax</sub></b><br>kN | <b>p<sub>w</sub></b><br>N/mm <sup>2</sup> | <b>p<sub>N</sub></b><br>N/mm <sup>2</sup> | <b>Z</b><br>Stk | <b>S</b>  | <b>M<sub>A</sub></b><br>Nm | <b>L</b><br>mm | <b>L<sub>1</sub></b><br>mm | <b>L<sub>2</sub></b><br>mm | <b>Weight</b><br>kg |
|----------------|----------------|----------------------------|-----------------------------|---|---|-----------------|-----------|----------------------------|----------------|----------------------------|----------------------------|---------------------|
| 70             | x 110          | 4000                       | 116                         | 110                                       | 56  | 8               | M10 x 055 | 49                         | 50             | 60                         | 70                         | 2,2                 |
| 80             | x 120          | 5800                       | 146                         | 121                                       | 64  | 10              | M10 x 055 | 49                         | 50             | 60                         | 70                         | 2,5                 |
| 90             | x 130          | 7200                       | 160                         | 118                                       | 65  | 11              | M10 x 055 | 49                         | 50             | 60                         | 70                         | 2,7                 |
| 100            | x 145          | 8600                       | 173                         | 96  | 53  | 10              | M12 x 060 | 69                         | 60             | 70                         | 82                         | 4,1                 |
| 110            | x 155          | 9500                       | 173                         | 87  | 49  | 10              | M12 x 060 | 69                         | 60             | 70                         | 82                         | 4,4                 |
| 120            | x 165          | 11400                      | 191                         | 88  | 51  | 11              | M12 x 060 | 69                         | 60             | 70                         | 82                         | 4,7                 |
| 130            | x 180          | 15700                      | 243                         | 92  | 55  | 14              | M12 x 065 | 69                         | 65             | 79                         | 91                         | 6,2                 |
| 140            | x 190          | 18200                      | 260                         | 91  | 56  | 15              | M12 x 065 | 69                         | 65             | 79                         | 91                         | 6,6                 |
| 150            | x 200          | 19500                      | 260                         | 85  | 53  | 15              | M12 x 065 | 69                         | 65             | 79                         | 91                         | 7,0                 |
| 160            | x 210          | 22100                      | 277                         | 85  | 54  | 16              | M12 x 065 | 69                         | 65             | 79                         | 91                         | 7,4                 |
| 170            | x 225          | 29200                      | 344                         | 84  | 52  | 15              | M14 x 075 | 108                        | 78             | 92                         | 106                        | 10,4                |
| 180            | x 235          | 30900                      | 344                         | 79  | 50  | 15              | M14 x 075 | 108                        | 78             | 92                         | 106                        | 11,0                |
| 190            | x 250          | 34900                      | 367                         | 67  | 44  | 16              | M14 x 080 | 108                        | 88             | 102                        | 116                        | 14,3                |
| 200            | x 260          | 45600                      | 456                         | 80  | 53  | 18              | M14 x 080 | 108                        | 88             | 102                        | 116                        | 15,0                |
| 220            | x 285          | 52400                      | 476                         | 70  | 46  | 15              | M16 x 090 | 168                        | 96             | 108                        | 124                        | 19,4                |
| 240            | x 305          | 76200                      | 635                         | 86  | 58  | 20              | M16 x 090 | 168                        | 96             | 108                        | 124                        | 21,0                |
| 260            | x 325          | 82500                      | 635                         | 79  | 54  | 20              | M16 x 090 | 168                        | 96             | 108                        | 124                        | 22,5                |
| 280            | x 355          | 117000                     | 839                         | 105                                       | 65  | 15              | M20 x 100 | 369                        | 96             | 110                        | 130                        | 28,2                |
| 300            | x 375          | 134000                     | 895                         | 104                                       | 66  | 16              | M20 x 100 | 369                        | 96             | 110                        | 130                        | 30,0                |
| 320            | x 405          | 179000                     | 1119                        | 97  | 59  | 20              | M20 x 110 | 369                        | 124            | 136                        | 156                        | 47,1                |
| 340            | x 425          | 190000                     | 1119                        | 91  | 56  | 20              | M20 x 110 | 369                        | 124            | 136                        | 156                        | 49,7                |
| 360            | x 455          | 250000                     | 1389                        | 85  | 58  | 20              | M22 x 130 | 495                        | 140            | 157                        | 179                        | 66,8                |
| 380            | x 475          | 263000                     | 1389                        | 81  | 55  | 20              | M22 x 130 | 495                        | 140            | 157                        | 179                        | 70,1                |
| 400            | x 495          | 305000                     | 1528                        | 84  | 58  | 22              | M22 x 130 | 495                        | 140            | 157                        | 179                        | 73,4                |
| 420            | x 515          | 350000                     | 1667                        | 88  | 61  | 24              | M22 x 130 | 495                        | 140            | 157                        | 179                        | 76,7                |
| 440            | x 535          | 366000                     | 1667                        | 84  | 59  | 24              | M22 x 130 | 550                        | 140            | 157                        | 179                        | 79,9                |
| 460            | x 555          | 383000                     | 1667                        | 80  | 57  | 24              | M22 x 130 | 550                        | 140            | 157                        | 179                        | 83,2                |
| 480            | x 575          | 416000                     | 1736                        | 80  | 57  | 25              | M22 x 130 | 550                        | 140            | 157                        | 179                        | 86,5                |
| 500            | x 595          | 434000                     | 1736                        | 77  | 55  | 25              | M22 x 130 | 550                        | 140            | 157                        | 179                        | 89,8                |
| 520            | x 615          | 505000                     | 1945                        | 83  | 60  | 28              | M22 x 130 | 550                        | 140            | 157                        | 179                        | 93,1                |
| 540            | x 635          | 525000                     | 1945                        | 80  | 58  | 28              | M22 x 130 | 550                        | 140            | 157                        | 179                        | 96,3                |
| 560            | x 655          | 583000                     | 2084                        | 82  | 60  | 30              | M22 x 130 | 550                        | 140            | 157                        | 179                        | 99,6                |
| 580            | x 675          | 604000                     | 2084                        | 79  | 58  | 30              | M22 x 130 | 550                        | 140            | 157                        | 179                        | 103                 |
| 600            | x 695          | 625000                     | 2084                        | 77  | 57  | 30              | M22 x 130 | 550                        | 140            | 157                        | 179                        | 106                 |