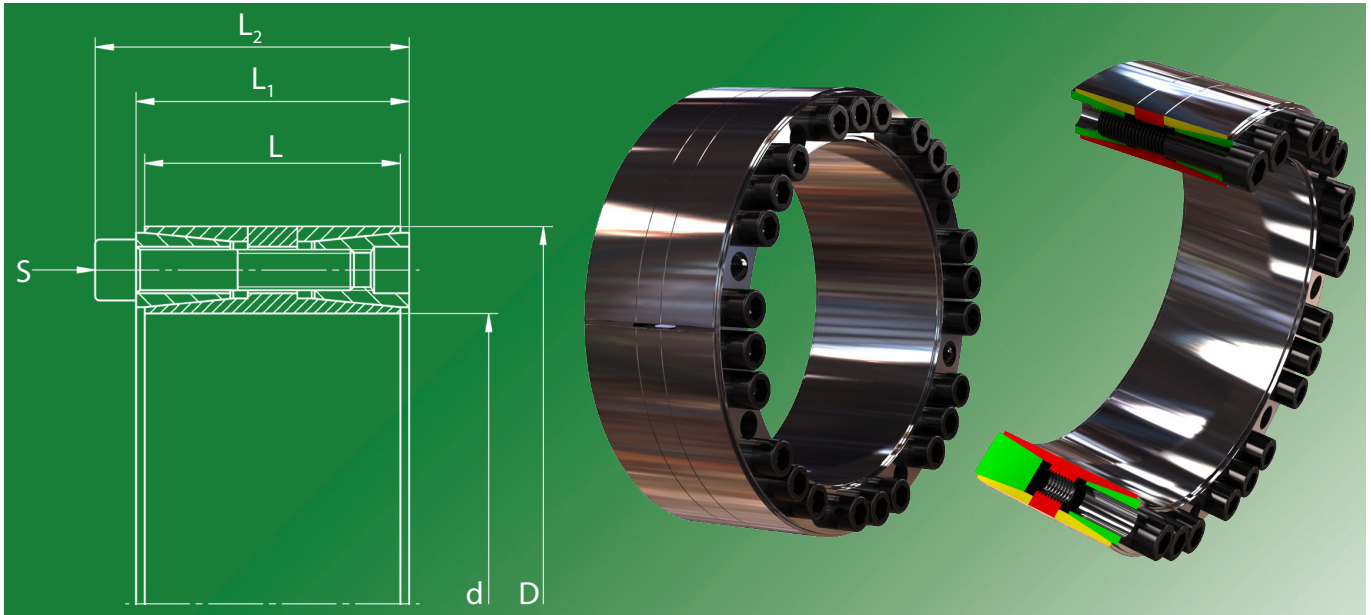
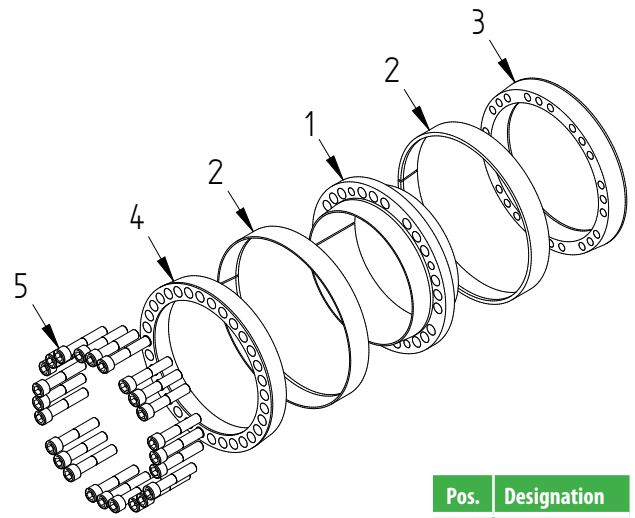


# 3015.1 DK



## Used symbols

$d$	[mm]	Shaft diameter	
$D$	[mm]	Hub inside diameter	
$M_t$	[Nm]	Max. transmittable torque	$F_{ax} = 0$
$F_{ax}$	[kN]	Max. transmittable axial force	$M_t = 0$
$p_w$	[N/mm <sup>2</sup> ]	Average pressure on the shaft	
$p_n$	[N/mm <sup>2</sup> ]	Average pressure on the hub	
$L$	[mm]	Length of the sleeve	
$L_1$	[mm]	Width of the locking device without screws	
$L_2$	[mm]	Width of the locking device with screws	
$Z$		Number of clamping screws	
$S$		Size of the clamping screws	
$M_A$	[Nm]	Tightening torque of the clamping screws	



Pos.	Designation
1	Sleeve
2	Outer ring
3	Pressure ring 1
4	Pressure ring 2
5	Screw

## Recommended tolerances & surfaces

Shaft	h8 / Rz10
Hub	H8 / Rz10

## Bending loads

Bending moment (share)	$M_B \max = 0,35 * M_t$
Bending angle	max. 5°

## More properties

- no axial displacement during assembly
- good self-centering
- low self-locking

Ordering information: TAS 3015.1 DK/d/D (for example: TAS 3015.1 DK/150/200 plus ... further sizes on request)

# 3015.1 DK

<b>d</b> mm	<b>D</b> mm	<b>M<sub>t</sub></b> Nm	<b>F<sub>ax</sub></b> kN	<b>p<sub>w</sub></b> N/mm <sup>2</sup>	<b>p<sub>N</sub></b> N/mm <sup>2</sup>	<b>Z</b> Stk	<b>S</b>	<b>M<sub>A</sub></b> Nm	<b>L</b> mm	<b>L<sub>1</sub></b> mm	<b>L<sub>2</sub></b> mm	<b>Weight</b> kg
100	x 145	7000	139	101	69	9	M10 x 055	83	60	65	75	4,1
110	x 155	8500	155	102	72	10	M10 x 055	83	60	65	75	4,4
120	x 165	11100	185	112	81	12	M10 x 055	83	60	65	75	4,8
130	x 180	15100	232	109	79	15	M10 x 060	83	68	74	84	6,5
140	x 190	16200	232	101	75	15	M10 x 060	83	68	74	84	7,0
150	x 200	18500	247	101	76	16	M10 x 060	83	68	74	84	7,4
160	x 210	22300	278	106	81	18	M10 x 060	83	68	74	84	7,8
170	x 225	29100	343	111	84	15	M12 x 065	145	75	81	93	10,0
180	x 235	32900	365	111	85	16	M12 x 065	145	75	81	93	10,6
190	x 250	39100	411	101	77	18	M12 x 075	145	88	94	106	14,3
200	x 260	45700	457	107	82	20	M12 x 075	145	88	94	106	15,0
220	x 285	52800	480	98	75	21	M12 x 080	145	98	104	116	19,8
240	x 305	65800	548	102	81	24	M12 x 080	145	98	104	116	21,4
260	x 325	80200	617	106	85	27	M12 x 080	145	98	104	116	23,0
280	x 355	120200	858	111	87	28	M14 x 100	230	120	126	140	35,2
300	x 375	128700	858	104	83	28	M14 x 100	230	120	126	140	37,4
320	x 405	188500	1178	114	90	28	M16 x 110	355	135	142	158	51,3
340	x 425	200300	1178	107	86	28	M16 x 110	355	135	142	158	54,1
360	x 455	220400	1225	90	71	24	M18 x 140	485	158	165	183	75,4
380	x 475	261800	1378	96	77	27	M18 x 140	485	158	165	183	79,0
400	x 495	326600	1633	108	87	32	M18 x 140	485	158	165	183	82,8
420	x 515	342900	1633	103	84	32	M18 x 140	485	158	165	183	86,5
440	x 545	389600	1771	97	78	27	M20 x 140	690	172	180	200	110
460	x 565	407300	1771	93	76	27	M20 x 140	690	172	180	200	114
480	x 585	472200	1968	99	81	30	M20 x 140	690	172	180	200	119
500	x 605	491900	1968	95	78	30	M20 x 140	690	172	180	200	123
520	x 630	545700	2099	86	71	32	M20 x 150	690	190	200	220	148
540	x 650	566700	2099	83	69	32	M20 x 150	690	190	200	220	154
560	x 670	661100	2361	90	75	36	M20 x 150	690	190	200	220	160
580	x 690	684700	2361	86	73	36	M20 x 150	690	190	200	220	165
600	x 710	708300	2361	84	71	36	M20 x 150	690	190	200	220	170
620	x 730	731900	2361	81	69	36	M20 x 150	690	190	200	220	175
640	x 750	755500	2361	78	67	36	M20 x 150	690	190	200	220	180