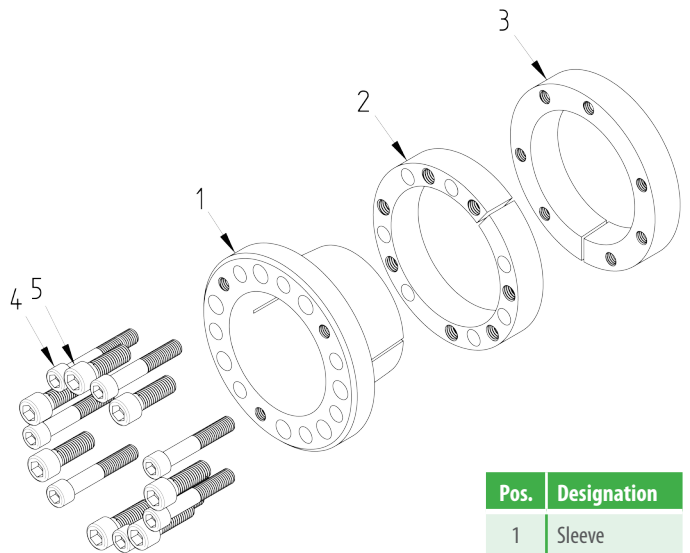


## Used symbols

$d$	[mm]	Shaft diameter
$D$	[mm]	Hub inside diameter
$M_{t1}$	[Nm]	Max. transmittable torque pressure ring 1
$F_{ax1}$	[kN]	Max. transmittable axial force pressure ring 1
$M_{t2}$	[Nm]	Max. transmittable torque pressure ring 2
$F_{ax2}$	[kN]	Max. transmittable axial force pressure ring 2
$M_{t1+2}$	[Nm]	Entire transmittable torque $F_{ax} = 0$
$F_{ax1+2}$	[kN]	Entire transmittable axial force $M_t = 0$
$p_{W1}$	[N/mm <sup>2</sup> ]	Average pressure on the shaft
$p_{N1}$	[N/mm <sup>2</sup> ]	Average pressure on the hub 1
$p_{W2}$	[N/mm <sup>2</sup> ]	Average pressure on the shaft
$p_{N2}$	[N/mm <sup>2</sup> ]	Average pressure on the hub 2
$L$	[mm]	Length of the sleeve
$L_0$	[mm]	Distance pressure ring 2
$L_1$	[mm]	Width of the locking device without screws
$L_2$	[mm]	Width of the locking device with screws
$L_3$	[mm]	Distance pressure ring 1
$L_s$	[mm]	Width of the pressure rings
$Z_1$ & $Z_2$		Number of clamping screws
$S_1$ & $S_2$		Size of the clamping screws
$M_{A1}$ & $M_{A2}$		Tightening torque of the clamping screws



Pos.	Designation
1	Sleeve
2	Pressure ring 1
3	Pressure ring 2
4	Screw $S_2$
5	Screw $S_1$

## Recommended tolerances

Shaft	h8 / Rz 10
Hub	H8 / Rz 10

## Bending loads

Bending moment (share)	$M_b \max = 0,6 * M_t$
Bending angel	max. 5°

## More properties

- no axial displacement during assembly
- very good self-centering
- high self-locking

d mm	D mm	M <sub>t1</sub> Nm	F <sub>ax1</sub> kN	M <sub>t2</sub> Nm	F <sub>ax2</sub> kN	M <sub>t1+2</sub> Nm	F <sub>ax1+2</sub> kN	P <sub>w1</sub> N/mm <sup>2</sup>	P <sub>N1</sub> N/mm <sup>2</sup>	P <sub>w2</sub> N/mm <sup>2</sup>	P <sub>N2</sub> N/mm <sup>2</sup>	Z <sub>1</sub> Stk	S <sub>1</sub>	M <sub>A1</sub> Nm	Z <sub>2</sub> Stk	S <sub>2</sub>	M <sub>A2</sub> Nm	L mm	L <sub>0</sub> mm	L <sub>1</sub> mm	L <sub>2</sub> mm	L <sub>3</sub> mm	L <sub>5</sub> mm	Weight kg
30	x 60	623	42	342	23	965	64	245	124	134	67	4	M8x25	41	4	M6x40	17	45	36	48	56	18	15	0,95
35	x 65	727	42	499	29	1226	70	210	115	144	78	4	M8x25	41	5	M6x40	17	45	36	48	56	18	15	1,00
40	x 70	1039	52	570	29	1609	80	230	133	126	72	5	M8x25	41	5	M6x40	17	45	36	48	56	18	15	1,12
45	x 80	1516	67	1166	52	2682	119	221	126	170	95	4	M10x25	83	5	M8x50	41	54	42	57	67	21	18	1,47
50	x 85	2105	84	1296	52	3401	136	248	148	153	90	5	M10x25	83	5	M8x50	41	54	42	57	67	21	18	1,58
55	x 90	2316	84	1426	52	3741	136	226	140	139	85	5	M10x25	83	5	M8x50	41	54	42	57	67	21	18	1,70
60	x 95	3032	101	1866	62	4898	163	248	159	153	96	6	M10x25	83	6	M8x50	41	54	42	57	67	21	18	1,81
65	x 100	3284	101	2022	62	5306	163	229	151	141	92	6	M10x25	83	6	M8x50	41	54	42	57	67	21	18	1,93
70	x 115	5140	147	3531	101	8672	248	232	143	159	97	6	M12x35	145	6	M10x60	83	70	56	74	86	27	24	3,60
80	x 125	6854	171	4709	118	11562	289	237	154	163	104	7	M12x35	145	7	M10x60	83	70	56	74	86	27	24	4,00
90	x 135	7711	171	5297	118	13008	289	210	142	145	96	7	M12x35	145	7	M10x60	83	70	56	74	86	27	24	4,38
100	x 150	11498	230	8698	174	20195	404	235	159	177	118	7	M14x40	230	7	M12x70	145	78	61	82	96	29	26	6,00
110	x 160	12647	230	9568	174	22215	404	213	149	161	111	7	M14x40	230	7	M12x70	145	78	61	82	96	29	26	6,50
120	x 170	13797	230	10437	174	24235	404	196	140	148	104	7	M14x40	230	7	M12x70	145	78	61	82	96	29	26	6,97
130	x 190	23804	366	17342	267	41146	633	249	170	181	124	8	M16x50	355	8	M14x80	230	90	71	95	111	35	30	11,0
140	x 200	25635	366	18676	267	44311	633	231	162	169	118	8	M16x50	355	8	M14x80	230	90	71	95	111	35	30	11,6
150	x 210	27466	366	20010	267	47476	633	216	154	157	112	8	M16x50	355	8	M14x80	230	90	71	95	111	35	30	13,0
160	x 220	29297	366	21344	267	50641	633	202	147	147	107	8	M16x50	355	8	M14x80	230	90	71	95	111	35	30	12,3
180	x 250	51375	571	32959	366	84334	937	210	151	135	97	8	M20x70	690	8	M16x100	355	114	92	122	142	45	40	22,1
200	x 270	71355	714	45776	458	117131	1171	237	175	152	112	10	M20x70	690	10	M16x100	355	114	92	122	142	45	40	24,3
220	x 290	78490	714	50354	458	128844	1171	215	163	138	105	10	M20x70	690	10	M16x100	355	114	92	122	142	45	40	26,3
240	x 310	102751	856	65918	549	168669	1406	237	183	152	118	12	M20x70	690	12	M16x100	355	114	92	122	142	45	40	28,6
260	x 330	109740	844	70402	542	180143	1386	215	170	138	109	12	M20x70	690	12	M16x110	355	114	92	122	142	45	40	30,6
280	x 365	143639	1026	98485	703	242124	1729	216	166	148	114	10	M24x80	1200	10	M20x120	690	135	108	144	168	50	45	46,5
300	x 385	153899	1026	105520	703	259419	1729	202	157	138	108	10	M24x80	1200	10	M20x120	690	135	108	144	168	50	45	49,3
320	x 405	196991	1231	135065	844	332056	2075	227	179	155	123	12	M24x80	1200	12	M20x120	690	135	108	144	168	50	45	52
340	x 425	244186	1436	167425	985	411611	2421	249	199	171	137	14	M24x80	1200	14	M20x120	690	135	108	144	168	50	45	54
360	x 445	258550	1436	177273	985	435823	2421	235	190	161	130	14	M24x80	1200	14	M20x120	690	135	108	144	168	50	45	57
380	x 465	311902	1642	213853	1126	525755	2767	255	208	175	143	16	M24x80	1200	16	M20x120	690	135	108	144	168	50	45	60
400	x 485	328318	1642	225109	1126	553426	2767	242	200	166	137	16	M24x80	1200	16	M20x120	690	135	108	144	168	50	45	64
420	x 505	344734	1642	236364	1126	581098	2767	230	192	158	131	16	M24x80	1200	16	M20x120	690	135	108	144	168	50	45	66
440	x 525	361150	1642	247619	1126	608769	2767	168	141	115	96	16	M24x80	1200	16	M20x140	690	167	147	178	202	80	59	70
460	x 545	377565	1642	258875	1126	636440	2767	160	135	110	93	16	M24x80	1200	16	M20x140	690	167	147	178	202	80	59	73

$d$ mm	$D$ mm	$M_{t1}$ Nm	$F_{ax1}$ kN	$M_{t2}$ Nm	$F_{ax2}$ kN	$M_{t1+2}$ Nm	$F_{ax1+2}$ kN	$P_{W1}$ N/mm <sup>2</sup>	$P_{N1}$ N/mm <sup>2</sup>	$P_{W2}$ N/mm <sup>2</sup>	$P_{N2}$ N/mm <sup>2</sup>	$Z_1$ Stk	$S_1$	$M_{A1}$ Nm	$Z_2$ Stk	$S_2$	$M_{A2}$ Nm	$L$ mm	$L_0$ mm	$L_1$ mm	$L_2$ mm	$L_3$ mm	$L_5$ mm	Weight kg
<b>480</b>	<b>x 565</b>	393981	1642	270130	1126	<b>664112</b>	<b>2767</b>	154	131	105	90	16	M24x80	1200	16	M20x140	690	167	147	178	202	80	59	76
<b>500</b>	<b>x 585</b>	461697	1847	316559	1266	<b>778256</b>	<b>3113</b>	166	142	114	97	18	M24x80	1200	18	M20x140	690	167	147	178	202	80	59	79
<b>520</b>	<b>x 605</b>	480165	1847	329221	1266	<b>809386</b>	<b>3113</b>	160	137	109	94	18	M24x80	1200	18	M20x140	690	167	147	178	202	80	59	82
<b>540</b>	<b>x 625</b>	498633	1847	341884	1266	<b>840516</b>	<b>3113</b>	154	133	105	91	18	M24x80	1200	18	M20x140	690	167	147	178	202	80	59	85
<b>560</b>	<b>x 645</b>	517101	1847	354546	1266	<b>871647</b>	<b>3113</b>	148	129	102	88	18	M24x80	1200	18	M20x140	690	167	147	178	202	80	59	88
<b>580</b>	<b>x 665</b>	595076	2052	408009	1407	<b>1003085</b>	<b>3459</b>	159	139	109	95	20	M24x80	1200	20	M20x140	690	167	147	178	202	80	59	91
<b>600</b>	<b>x 685</b>	615596	2052	422079	1407	<b>1037675</b>	<b>3459</b>	154	135	105	92	20	M24x80	1200	20	M20x140	690	167	147	178	202	80	59	94
<b>620</b>	<b>x 705</b>	636116	2052	436148	1407	<b>1072264</b>	<b>3459</b>	149	131	102	90	20	M24x80	1200	20	M20x140	690	167	147	178	202	80	59	98