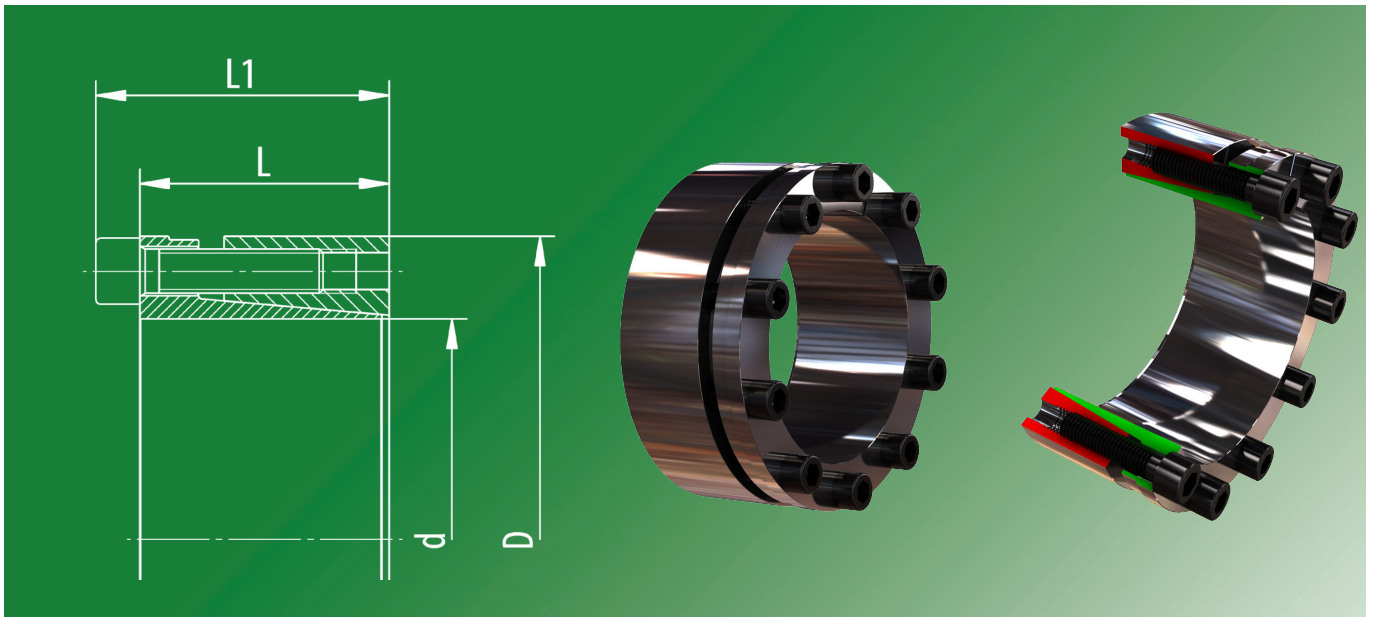
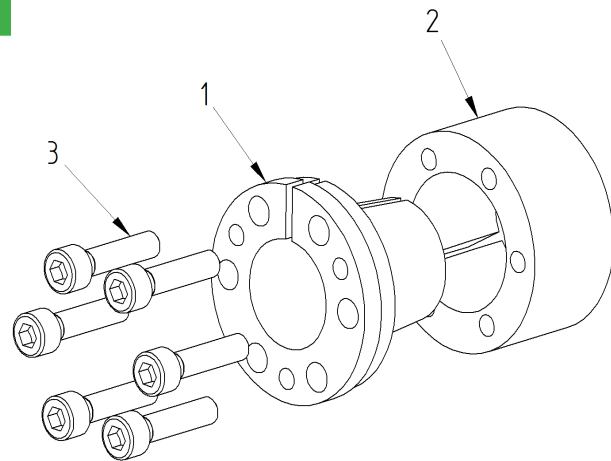


TAS 130



Used symbols

d	[mm]	Shaft diameter	
D	[mm]	Hub inside diameter	
M_t	[Nm]	Max. transmittable torque	$F_{ax} = 0$
F_{ax}	[kN]	Max. transmittable axial force	$M_t = 0$
p_w	[N/mm ²]	Average pressure on the shaft	
p_h	[N/mm ²]	Average pressure on the hub	
L	[mm]	Width of the locking device without screws	
L_1	[mm]	Width of the locking device with screws	
Z		Number of clamping screws	
S		Size of the clamping screws	
M_A	[Nm]	Tightening torque of the clamping screws	



Pos.	Benennung
1	Sleeve
2	Pressure ring
3	Screw

Recommended tolerances & surfaces

Shaft	h8 / Rz10
Hub	H8 / Rz10

Bending loads

Bending moment (share)	$M_B \text{ max} = 0,35 * M_t$
Bending angle	max. 5°

More properties

- low axial displacement during assembly
- good self-centering
- high self-locking

Ordering information: TAS 130/d/D (for example: TAS 130/20/47 ... further sizes on request)

TAS 130

d mm	x	D mm	M_t Nm	F_{ax} kN	p_w N/mm ²	p_N N/mm ²	Z Stk	S	M_A Nm	L mm	L₁ mm	Weight kg
20	x	47	530	52	264	110	6	M 6 x 25	17	42	48	0,41
22	x	47	580	52	239	110	6	M 6 x 25	17	42	48	0,38
24	x	50	630	52	217	100	6	M 6 x 25	17	42	48	0,42
25	x	50	660	52	208	100	6	M 6 x 25	17	42	48	0,41
28	x	55	740	52	194	100	6	M 6 x 25	17	42	48	0,50
30	x	55	790	70	182	100	6	M 6 x 25	17	42	48	0,47
32	x	60	1150	70	226	120	8	M 6 x 25	17	42	48	0,56
35	x	60	1300	70	209	120	8	M 6 x 25	17	42	48	0,53
38	x	65	1300	70	188	110	8	M 6 x 25	17	42	48	0,62
40	x	65	1400	70	180	110	8	M 6 x 25	17	42	48	0,57
42	x	75	2000	100	209	120	6	M 8 x 30	41	51	59	1,01
45	x	75	2200	100	197	120	6	M 8 x 30	41	51	59	0,98
48	x	80	3200	130	249	150	8	M 8 x 30	41	51	59	1,09
50	x	80	3300	130	239	150	8	M 8 x 30	41	51	59	1,07
55	x	85	3600	130	215	140	8	M 8 x 30	41	51	59	1,15
60	x	90	3900	130	194	130	8	M 8 x 30	41	51	59	1,23
65	x	95	4300	130	177	120	8	M 8 x 30	41	51	59	1,32
70	x	110	7500	210	203	130	8	M 10 x 30	83	61	71	2,18
75	x	115	8000	210	196	130	8	M 10 x 30	83	61	71	2,30
80	x	120	8500	210	179	120	8	M 10 x 30	83	61	71	2,44
85	x	125	11400	270	217	150	10	M 10 x 30	83	61	71	2,55
90	x	130	12000	270	201	140	10	M 10 x 30	83	61	71	2,67
95	x	135	12600	280	190	135	10	M 10 x 30	83	61	71	2,80
100	x	145	15000	300	185	130	8	M 12 x 35	145	68	80	3,90
110	x	155	16500	300	167	120	8	M 12 x 35	145	68	80	4,20
120	x	165	22500	370	190	140	10	M 12 x 35	145	68	80	4,50
130	x	180	29000	450	206	150	12	M 12 x 35	145	68	80	5,50
140	x	190	32000	460	175	130	10	M 14 x 40	210	76	90	6,60
150	x	200	41000	550	198	150	12	M 14 x 40	210	76	90	6,90
160	x	210	44000	550	183	140	12	M 14 x 40	210	76	90	7,40
170	x	225	54500	640	210	160	14	M 14 x 40	210	76	90	8,60
180	x	235	57500	640	190	150	14	M 14 x 40	210	76	90	9,10
190	x	250	65000	689	191	146	15	M 14 x 40	210	76	90	10,60
200	x	260	68000	689	183	141	15	M 14 x 40	210	76	90	11,20
220	x	285	82000	747	141	109	12	M 16 x 50	325	98	114	17,70