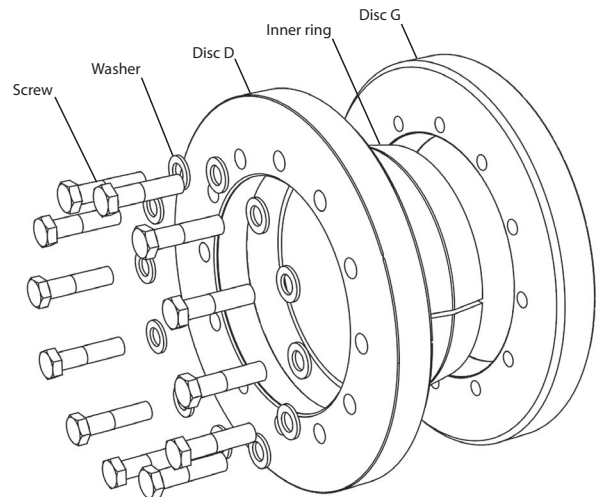


Used symbols

d	[mm]	Nominal diameter of the shrink disc
d_w	[mm]	Shaft diameter
M_{max}	[mm]	Maximal transmittable torque
D	[mm]	Outer diameter
l	[mm]	Length of the inner ring
e	[mm]	Excess length
H	[mm]	Width of the shrink disc
A	[mm]	Pitch circle diameter
B	[mm]	Attachment size
M_A	[Nm]	Tightening torque of the clamping screws
Z		Number of clamping screws
S		Size of the clamping screws
n_{max}	[min ⁻¹]	Permitted rotational frequency
p_N	[N/mm ²]	Moderate pressure to the hub
I	[kgm ²]	Moment of inertia



Design of the shrink disc

$d < 115$ - Discs galvanized - without washers

$d \geq 110$ - Discs painted - with washers

Dimensions **H** & **e** in unlocked position

Hexagon head bolts are used as standard.

Upon request we provide all sized shrink discs with hexagon socket head bolts (Inbus). (See ordering information)

Variation from the standard shaft diameter d_w

> mm	≤ mm	minimal - mm	maximal + mm
40	50	-3	2
50	140	-5	5
140	180	-10	5
180	320	-15	10
320	440	-20	10
440	600	-30	10

$$M = M_{max (Catalog)} \left(\frac{d_w (target)}{d_w (Catalog)} \right)^2$$

(see Basics - Calculation)

min. yield strength $R_{p0,2}$	N/mm ²
Solid shaft	350
Hub	450

Ordering information: TAS 3093 - d (e.g.: TAS 3093-200 ... further sizes on request)
with Inbus: TAS 3093 - d - Inbus (e.g.: TAS 3093-200-Inbus)

3093 Heavy-Range strengthened

d mm	d_W mm	M_{max} Nm	D mm	l mm	e mm	H mm	A mm	B mm	M_A Nm	Z Stk	S	DIN	Class	n_{max} min ⁻¹	p_N N/mm ²	I kgm ²	Weight kg
40	30	1000	80	25	3,5	32	62	43	35	4	M 8 x 30	933	12.9	7100	291	0,0008300	0,83
44	34	1600	85	28	3	34	66	47	35	5	M 8 x 30	933	12.9	6700	295	0,0011451	1,0
55	45	3500	105	30	4,5	39	78	59	35	7	M 8 x 35	933	12.9	5400	309	0,0029856	1,7
62	50	3800	115	30	4,5	39	85	66	35	7	M 8 x 35	933	12.9	4900	274	0,0042672	2,0
68	55	4700	120	30	4,5	39	92	72	35	8	M 8 x 35	933	12.9	4700	285	0,0049938	2,1
75	60	7200	145	36	5	46	105	84	69	7	M 10 x 40	933	12.9	4100	300	0,0101760	3,3
80	65	8000	145	36	5	46	105	84	69	7	M 10 x 40	933	12.9	3900	282	0,0123412	3,6
90	70	9100	160	40	5	50	116	94	69	8	M 10 x 40	933	12.9	3500	258	0,0202200	4,8
100	75	11800	170	44	5	54	126	104	69	10	M 10 x 45	931	12.9	3300	263	0,0262575	5,4
110	80	14500	185	50	5	60	138	114	69	12	M 10 x 45	931	12.9	3000	253	0,0411134	7,1
120	85	17500	210	55	5	65	155	125	120	10	M 12 x 50	931	12.9	2700	257	0,0731250	10
125	90	19000	215	55	5	65	160	129	120	10	M 12 x 50	931	12.9	2600	246	0,0850438	11
140	100	25600	230	60	7	74	175	144	120	12	M 12 x 55	931	12.9	2400	242	0,1178125	13
155	110	35800	265	66	7	80	198	164	120	15	M 12 x 60	931	12.9	2100	248	0,2356250	20
165	120	57800	290	72	8	88	210	174	290	10	M 16 x 65	931	12.9	1900	295	0,3757219	27
175	130	63800	300	72	8	88	220	184	290	10	M 16 x 65	931	12.9	1900	278	0,4221875	28
185	140	99900	330	92	10	112	236	194	290	14	M 16 x 80	931	12.9	1700	288	0,8229688	46
200	150	114000	350	92	10	112	246	204	290	15	M 16 x 80	931	12.9	1600	285	1,0359	51
220	165	166000	370	114	10	134	270	224	290	20	M 16 x 90	931	12.9	1500	279	1,5287	66
240	180	213000	405	120	12	144	295	244	570	15	M 20 x 100	931	12.9	1400	284	2,3548	85
260	200	294000	430	136	12	160	321	265	570	18	M 20 x 110	931	12.9	1300	277	3,2825	104
280	220	390000	460	148	12	172	346	285	570	21	M 20 x 120	931	12.9	1200	276	4,6400	128
300	240	458000	485	152	12	176	364	305	570	22	M 20 x 120	931	12.9	1100	263	5,8100	143
320	250	506000	520	160	12	184	386	325	570	24	M 20 x 130	931	12.9	1100	255	7,9200	170
340	260	648000	570	176	12	200	420	345	980	21	M 24 x 130	931	12.9	1000	276	13,10	238
350	280	741000	580	176	12	200	425	355	980	21	M 24 x 130	931	12.9	980	268	13,94	243
360	290	812000	590	180	12	204	432	365	980	22	M 24 x 140	931	12.9	970	267	14,81	248
380	305	850000	645	180	12	204	458	387	980	22	M 24 x 140	931	12.9	880	253	21,65	309
390	310	934000	660	188	12	212	468	397	980	24	M 24 x 140	931	12.9	860	257	24,68	336
420	340	1312000	690	214	12	238	504	427	980	30	M 24 x 150	931	12.9	830	262	33,52	411
440	350	1388000	750	224	14	252	527	448	1450	24	M 27 x 170	931	12.9	760	251	49,52	524
460	370	1752000	770	224	14	252	547	468	1450	28	M 27 x 170	931	12.9	740	280	54,40	541
480	390	2001000	800	246	14	274	580	488	1450	30	M 27 x 180	931	12.9	710	262	70,39	647
500	410	2256000	850	246	14	274	600	508	1450	32	M 27 x 180	931	12.9	670	268	90,81	747
530	440	2607000	910	275	14	303	630	538	1450	34	M 27 x 200	931	12.9	630	241	130	939
660	540	4897000	1070	310	15	340	780	670	3300	30	M 36 x 240	931	12.9	530	264	263	1331