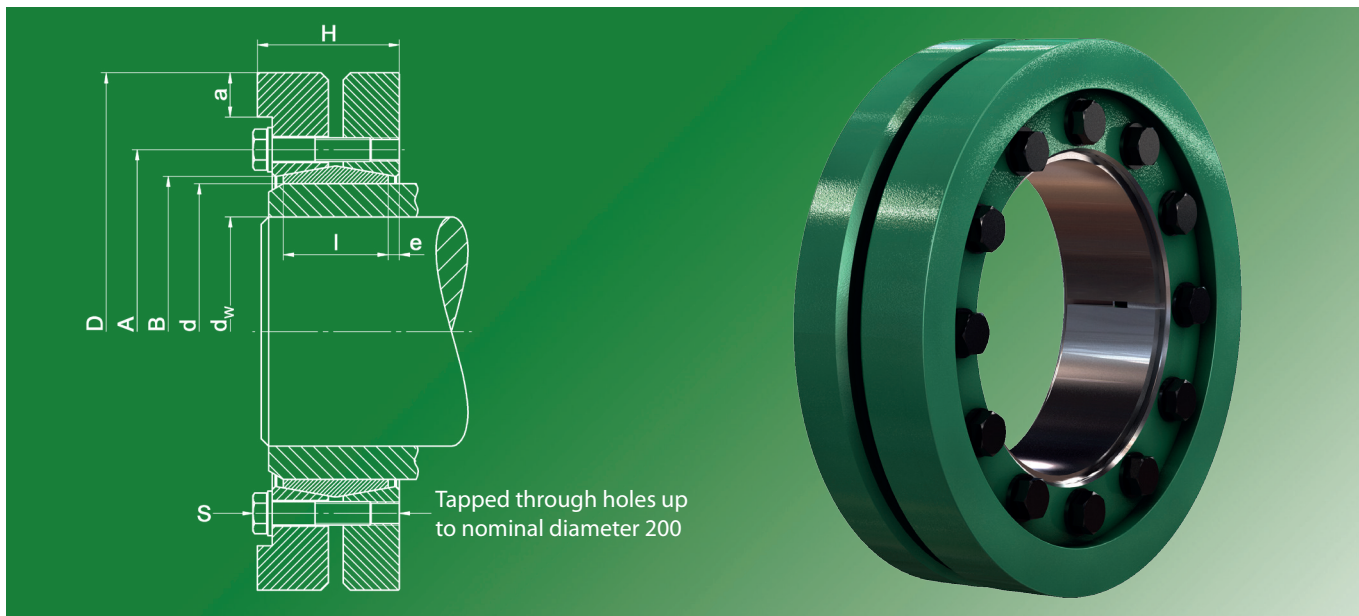
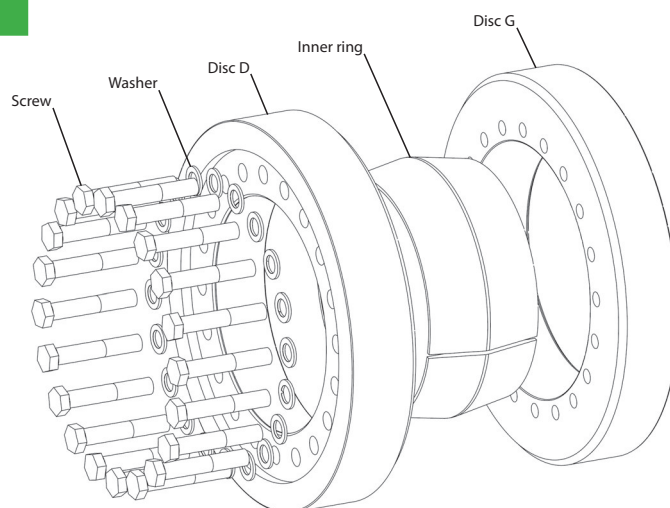


Type 52 Shrink Discs matching Stiebel – helical-bevel gears



Used symbols

d	[mm]	Nominal diameter of the shrink disc
d_w	[mm]	Shaft diameter
M_{max}	[mm]	Maximal transmittable torque
D	[mm]	Outer diameter
l	[mm]	Length of the inner ring
e	[mm]	Excess length
H	[mm]	Width of the shrink disc
a	[mm]	Width of the protection against contact (guard)
A	[mm]	Pitch circle diameter
B	[mm]	Attachment size
M_A	[Nm]	Tightening torque of the clamping screws
Z		Number of clamping screws
S		Size of the clamping screws
n_{max}	[min ⁻¹]	Permitted rotational frequency
p_N	[N/mm ²]	Moderate pressure to the hub
I	[kgm ²]	Moment of inertia



Design of the shrink disc

$d < 115$ - Discs galvanized - without washers

$d \geq 110$ - Discs painted - with washers

Dimensions H & e in unlocked position

min. yield strength $R_{p0.2}$	N/mm ²
Solid shaft	290
Hub	350

Ordering information: TAS Type (e.g.: TAS 5226 ... further sizes on request)

Type 52

Shrink Discs matching Stiebel – helical-bevel gears

Typ	d mm	d _w mm	M _{max} Nm	D mm	l mm	e mm	H mm	a mm	A mm	B mm	M _A Nm	Z Stk	S	DIN	Class	n _{max} min ⁻¹	p _N N/mm ²	I kgm ²	Weight kg
5206	50	40	1200	90	22	2,75	31,5	2	70	53	12	8	M 6 x 25	931	10.9	6300	217	0,0010600	0,8
5208	62	50	2100	110	23	4,25	35,5	3	86	66	12	10	M 6 x 25	931	10.9	5200	210	0,0025909	1,3
5210	75	60	3600	138	25	3,75	38	8	100	79	30	7	M 8 x 30	931	10.9	4100	233	0,0070923	2,3
5212	88	70	6300	155	30	4,5	44,5	9,5	114	94	30	10	M 8 x 35	931	10.9	3600	236	0,0135018	3,4
5214	90	75	7300	155	30	4,5	44,5	9,5	114	94	30	10	M 8 x 35	931	10.9	3600	231	0,0132516	3,3
5216	110	85	10000	185	39	5,5	57	9,5	136	114	59	9	M 10 x 40	931	10.9	3000	208	0,0347437	6,0
5218	138	100	18300	230	46	7,25	68,5	10	175	146	100	10	M 12 x 45	931	10.9	2400	228	0,0989230	11
5220	155	120	30000	265	50	7,25	72,5	19	192	165	100	12	M 12 x 50	931	10.9	2100	224	0,1885000	16
5222	165	120	38700	290	56	7,5	81	20	210	175	250	8	M 16 x 55	931	10.9	1900	258	0,3061438	22
5224	175	135	58400	300	72	8	98	20	220	184	250	10	M 16 x 65	931	10.9	1900	237	0,4221875	28
5226	200	150	95400	350	92	10	122	30	246	204	250	15	M 16 x 80	931	10.9	1600	243	1,0359	51
5228	220	170	149000	370	114	10	144	27,5	270	224	250	20	M 16 x 90	931	10.9	1500	238	1,5287	66